

HSL Series

740/1440 PSI HSL Series Bag Filter Housing

FEATURES

- ASME code single bag housing.
- Accepts industry standard #2 bag filters.
- ANSI 300/740 PSI rated.
- ANSI 600/1440 PSI rated.
- Higher pressure units available upon request.
- Available in carbon or stainless steel 304 or 316.

APPLICATIONS

- Hydraulic fluids
- Boiler Feed Water
- Machining Fluids
- Descaling Systems
- Lube Oil Systems
- Sour Service
- Power Fluid

STANDARD SPECIFICATIONS

STANDARD OPERATING TEMPERATURE

100°F (38°C)

MAXIMUM PRESSURE

ANSI 300/740 PSI

ANSI 600/1440 PSI

INLET/OUTLET SIZING

2" 300# RFWN

2" 600# RFWN

3" and 4" available

DIRTY DRAIN

1/2" 3000# NPT Coupling

CLEAN DRAIN

1/2" 3000# NPT Coupling

VENT

1/2" 3000# NPT Coupling

GAUGE PORTS (2)

1/2" 3000# NPT Coupling

MATERIALS AVAILABLE

Carbon steel

SS304/SS304L

SS316/SS316L

*Other materials available, please contact.

GASKET OPTIONS

Buna-N

EPDM

Viton

TEV

Spiral wound flexitallic

BASKET DETAILS

1/8" ON 3/16" CENTERS

*Variety of mesh and wedge wire sizes available, please contact.

VALVE OPTIONS

Ball valves

Vent valves

DIFFERENTIAL INDICATOR

Can be supplied with factory installed differential pressure gauge

CERTIFICATIONS

U, CRN (standard)

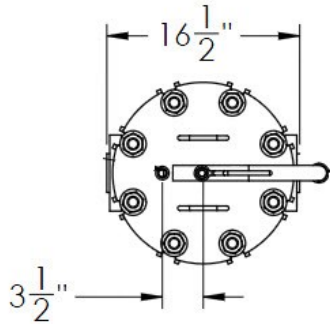
CE available upon request

Fischer-Robertson, Inc.
3890 Symmes Road, Hamilton, OH 45015
ph 513-860-3445 fx 513-860-4744
www.fischer-robertson.com

HSL SERIES

Single Bag Filter Housing
ASME Code, 740/1440 PSI

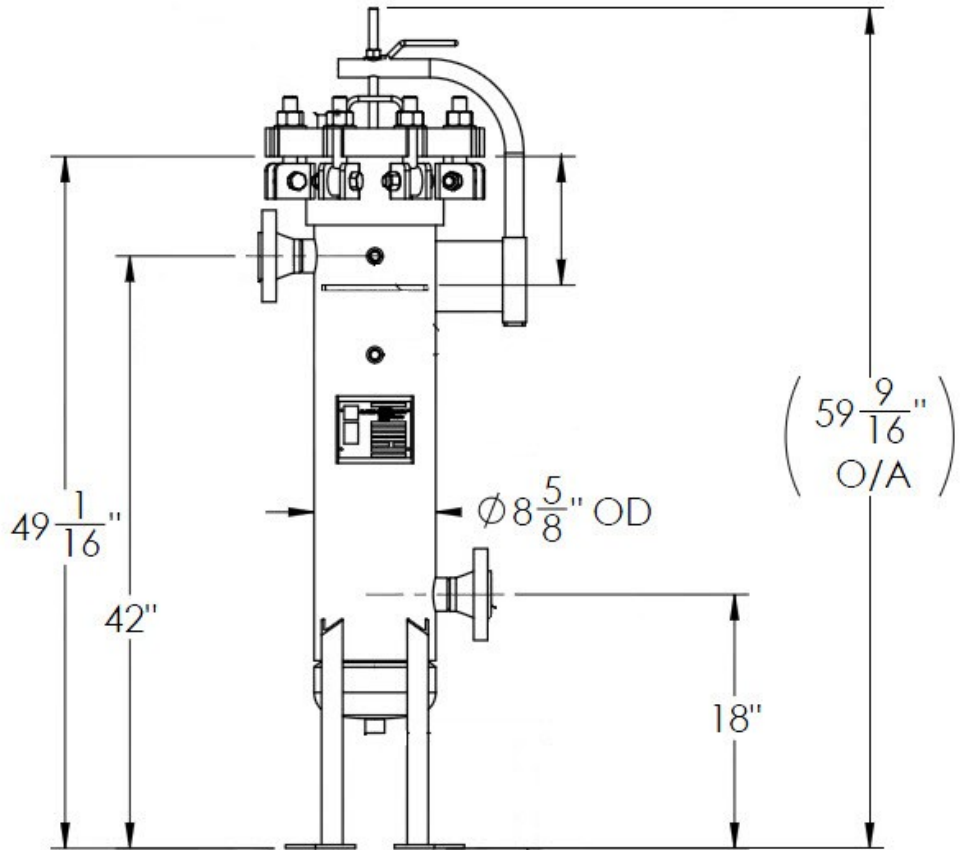
DIMENSIONAL DETAILS



FOR SOUR SERVICE:

DESIGN DETAILS

- Corrosion allowance
1/8" for carbon steel
1/16" for stainless steel
- Radiograph/RT-1
- PWHT for carbon steel
- All butt welds



**Standard dimensions, custom changes available

ORDERING INFORMATION

S4 HSL	112	2F	1440	
MOC	BAG SIZE	CONNECTION	DESIGN PRESSURE	CONFIGURATION
Blank—Carbon Steel	112—Size 2	2F—2" Flange	740—ANSI 300/740 PSI	BLANK—Side In/Side Out
S4—SS304		3F—3" Flange	1440—ANSI 600/1440 PSI	
S6—SS316		4F—4" Flange		